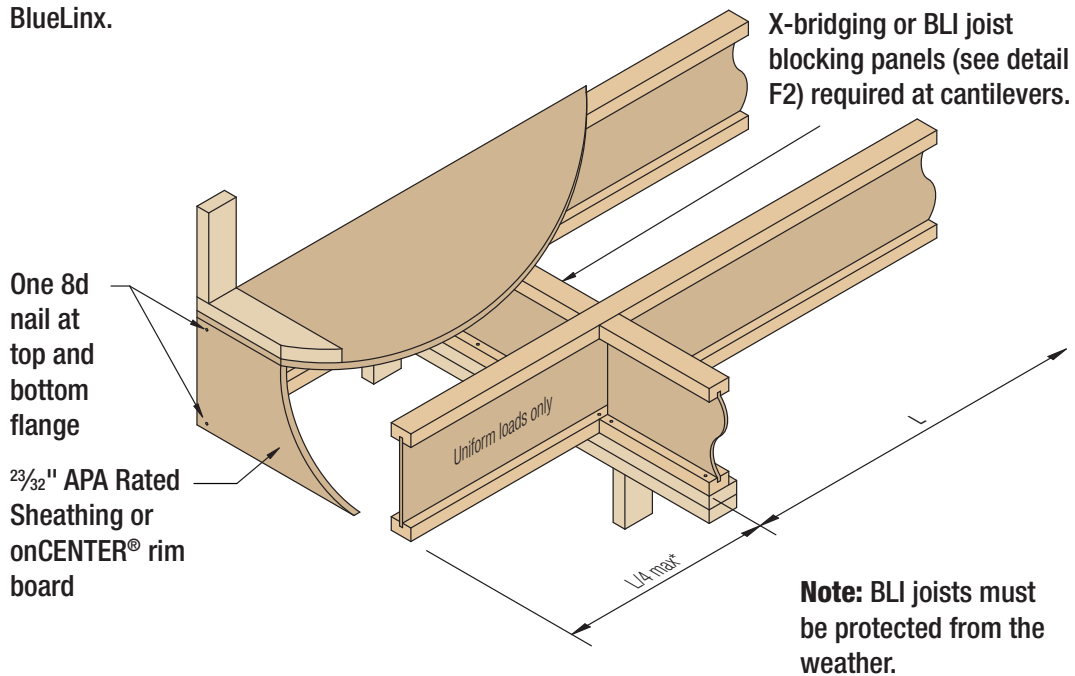


C1 CANTILEVER, UNREINFORCED

For allowable wall/roof loads on cantilever, use DOMA Sizer™ software or contact BlueLinX.



*Cantilever length must not exceed $\frac{1}{4}$ the adjacent span (L). Nor may it exceed:

- a) 2'-0" (if end of cantilever supports wall/roof loads)
- b) 4'-0" (if no loads are placed on end of cantilever)

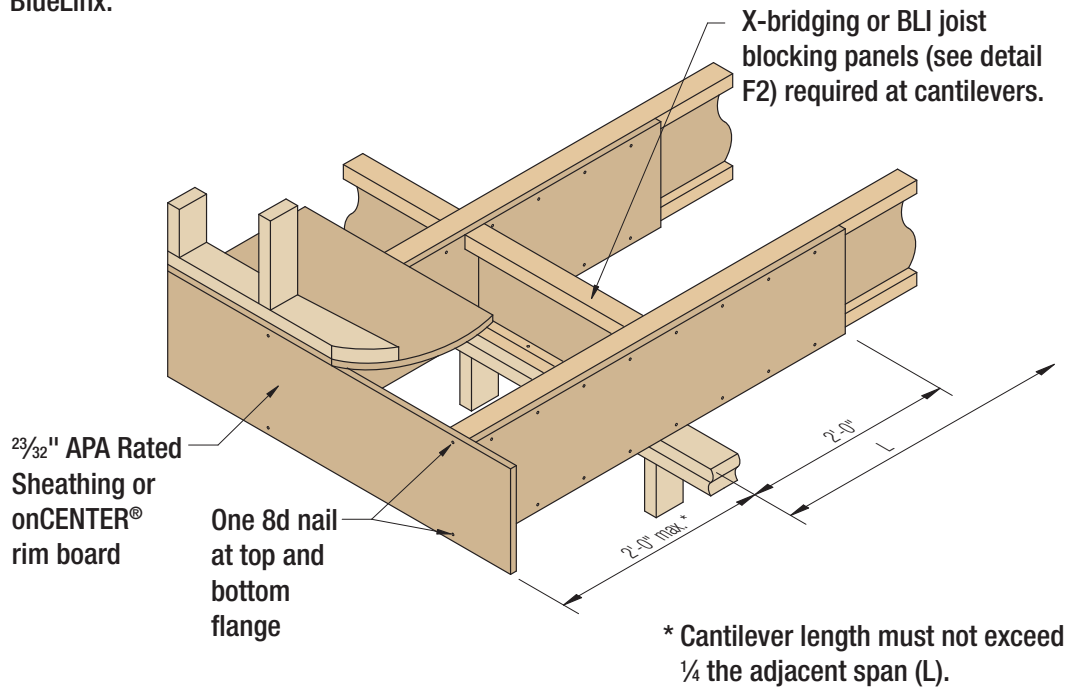
For other conditions contact BlueLinX.

C2

CANTILEVER, REINFORCED

Single Sheathing/Rim Board (Option I)

For allowable wall/roof loads on cantilever, use DOMA Sizer™ software or contact BlueLinx.



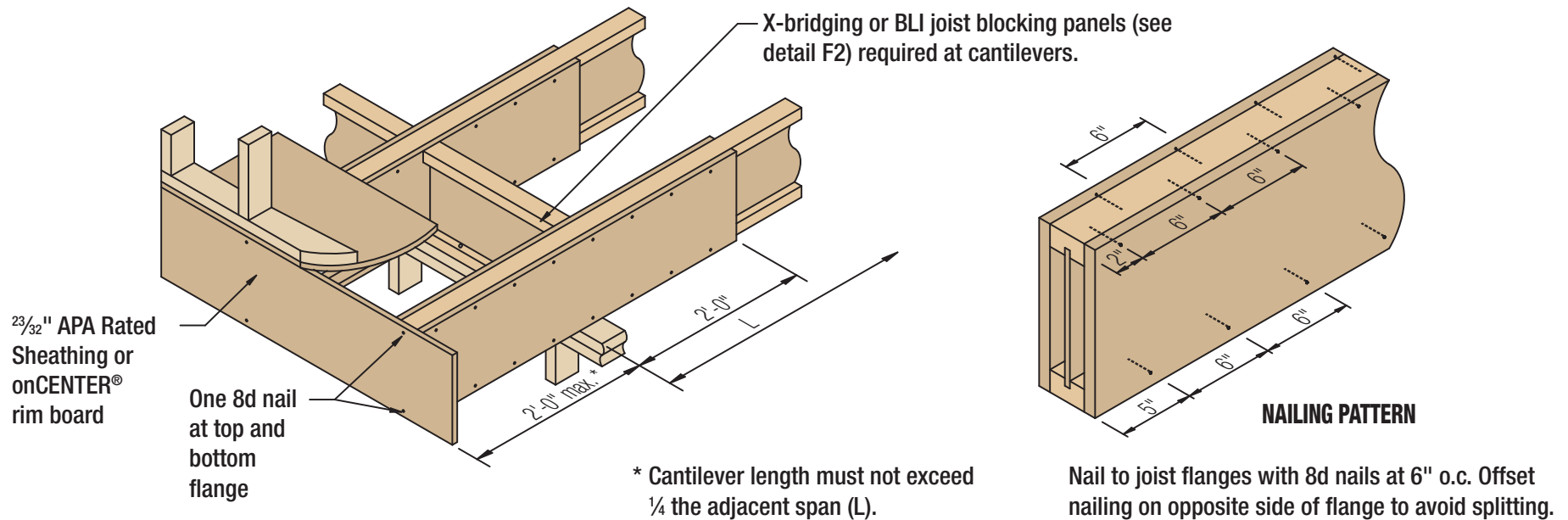
Note: onCENTER rim board or 48/24 APA Rated Sheathing (strength axis horizontal) required one side of joist. Depth must match full depth of joist. Nail to joist flanges with 8d nails at 6" o.c.

C3

CANTILEVER, REINFORCED

Double Sheathing/Rim Board (Option II)

For allowable wall/roof loads on cantilever, use DOMA Sizer™ software or contact BlueLinx.



Note: onCENTER rim board or 48/24 APA Rated Sheathing (strength axis horizontal) required both sides of joist. Depth must match full depth of joist.

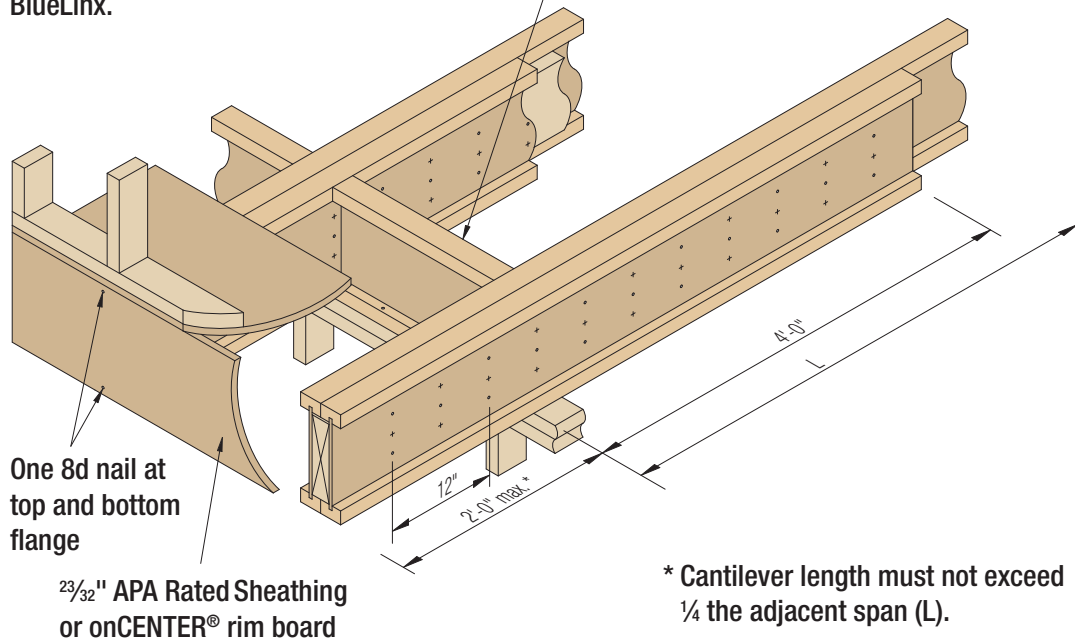
C4

CANTILEVER, REINFORCED

Double Joist (Option III)

For allowable wall/roof loads on cantilever, use DOMA Sizer™ software or contact BlueLinX.

X-bridging or BLI joist blocking panels (see detail F2) required at cantilevers.

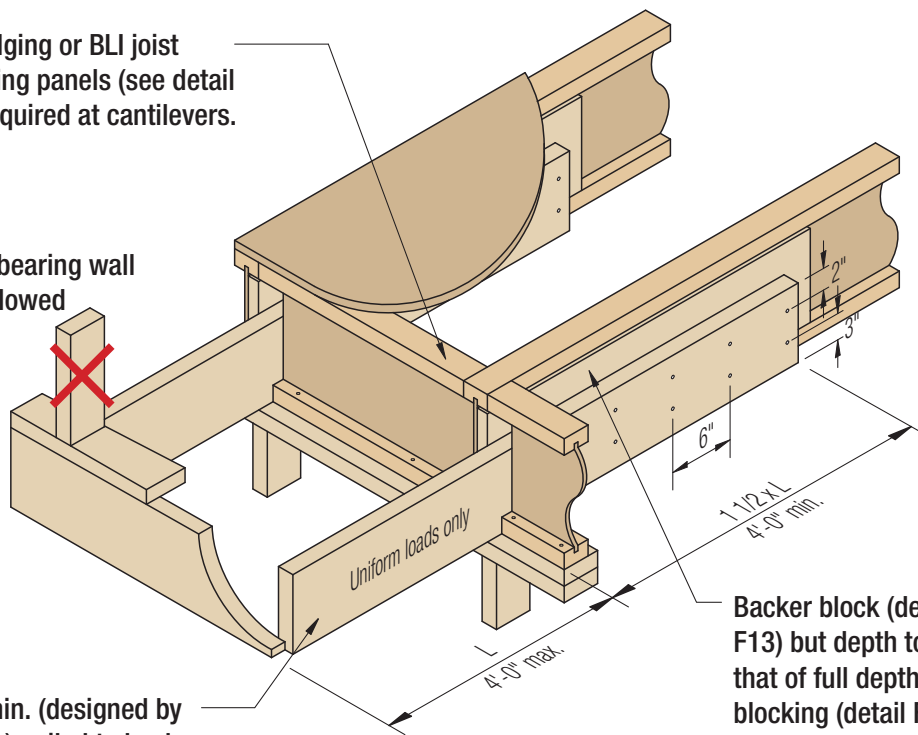


Note: Block together full length with full-depth filler blocking. See detail F11 for filler size, except filler must be one continuous length. For $9\frac{1}{2}$ " joists, use 2 rows of 10d nails at 12" o.c. from each side; for other depths, use 3 rows of 10d nails (16d for BLI 80, 90, and 900) at 12" o.c. from each side. Offset opposite side nailing by 6".

C5 CANTILEVER, DROPPED

X-bridging or BLI joist blocking panels (see detail F2) required at cantilevers.

Load bearing wall not allowed



2x8 min. (designed by others) nailed to backer block & web with 2 rows of 10d nails at 6" o.c.

Backer block (detail F13) but depth to match that of full depth filler blocking (detail F11). Install backer tight to bottom flange. Nail with 2 rows of 10d nails at 6" o.c. and clinch.