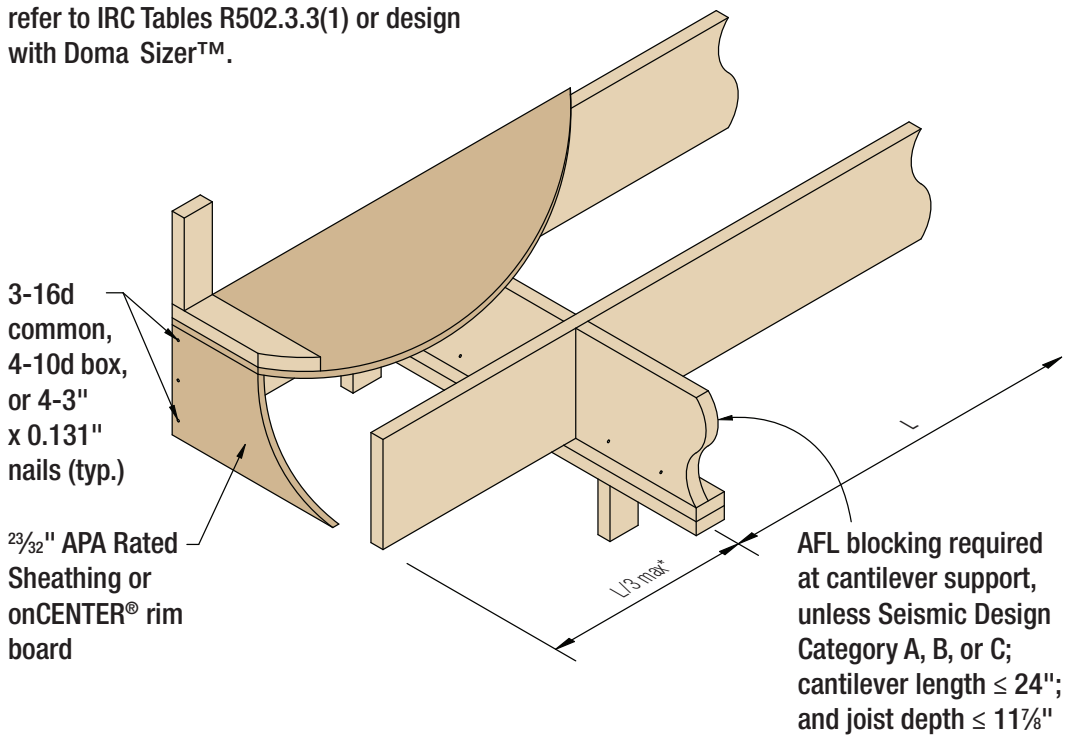


**C1A CANTILEVER, UNREINFORCED**

For allowable wall/roof loads on cantilever, refer to IRC Tables R502.3.3(1) or design with Doma Sizer™.



For cantilevers supporting light-frame exterior bearing wall and roof only, cantilever length must not exceed 1/3 the backspan (L), nor may it exceed the spans in IRC Table R502.3.3(1).

**Note:** AFL joists must be protected from the weather.