

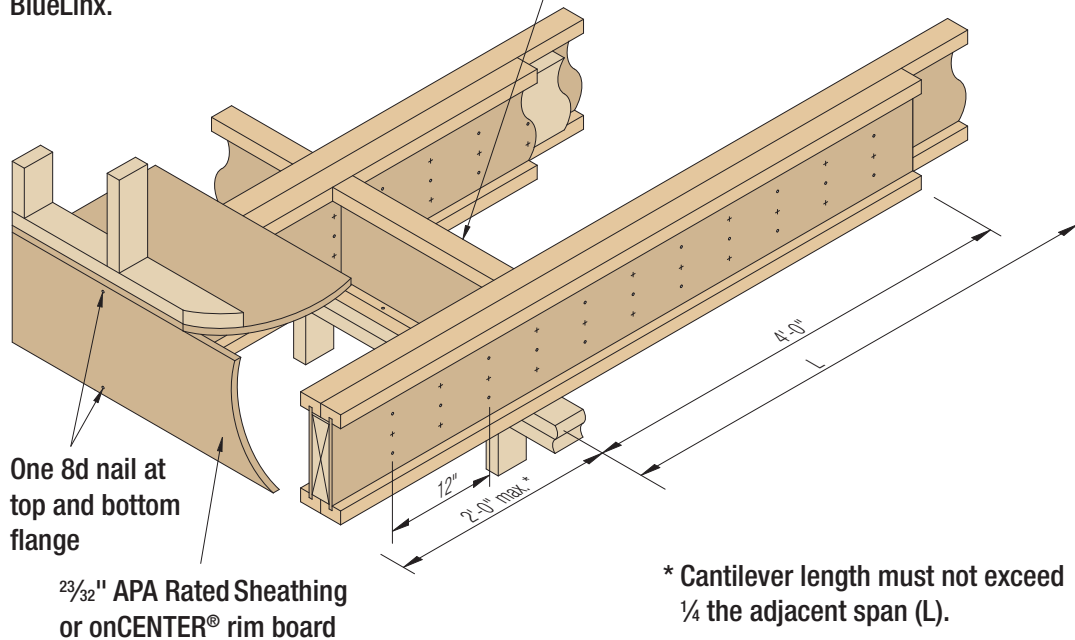
C4

CANTILEVER, REINFORCED

Double Joist (Option III)

For allowable wall/roof loads on cantilever, use DOMA Sizer™ software or contact BlueLinX.

X-bridging or BLI joist blocking panels (see detail F2) required at cantilevers.



* Cantilever length must not exceed $\frac{1}{4}$ the adjacent span (L).

Note: Block together full length with full-depth filler blocking. See detail F11 for filler size, except filler must be one continuous length. For $9\frac{1}{2}$ " joists, use 2 rows of 10d nails at 12" o.c. from each side; for other depths, use 3 rows of 10d nails (16d for BLI 80, 90, and 900) at 12" o.c. from each side. Offset opposite side nailing by 6".