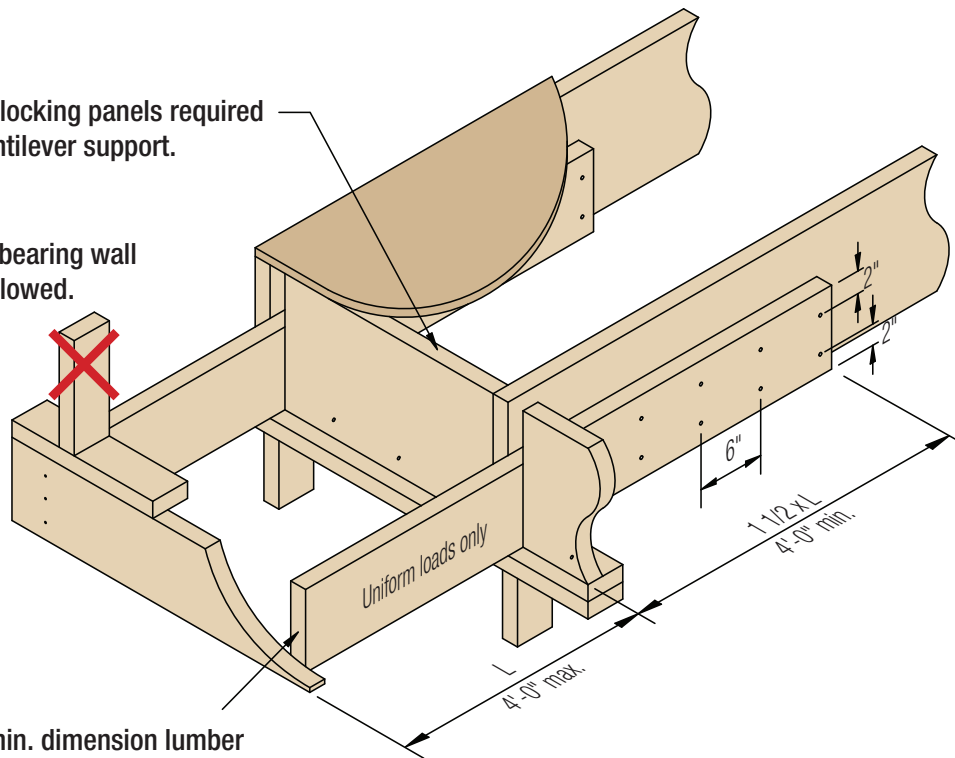


C5A CANTILEVER, UNREINFORCED

AFL blocking panels required at cantilever support.

Load bearing wall not allowed.



2x8 min. dimension lumber (designed by others) nailed to AFL with 2 rows of 10d nails at 6" o.c. Cantilever length must not exceed 1/2 the backspan, nor may it exceed the spans in IRC Table R502.3.3(2).

Note: AFL joists must be protected from the weather.