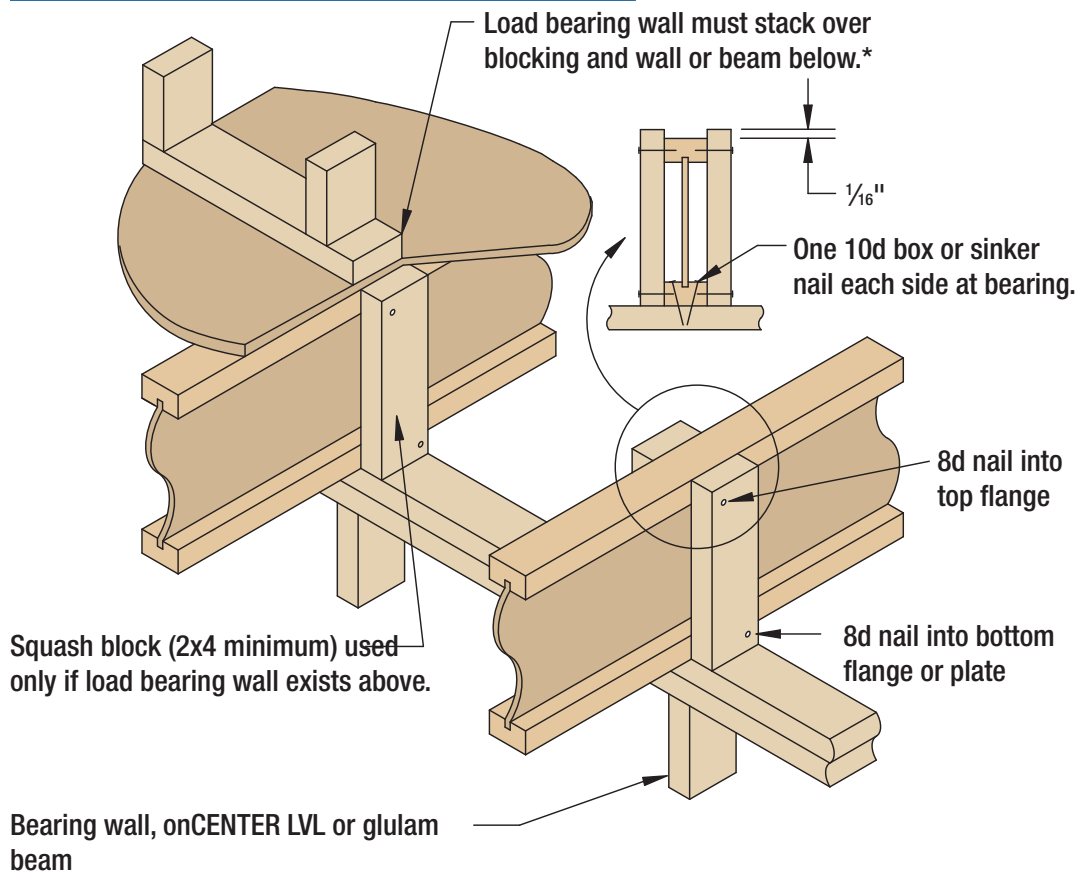


F10

SQUASH BLOCKS AT INTERIOR BEARING

Vertical load transfer = 2000 plf max. along load bearing wall



* Non-stacking load bearing walls require additional consideration.

Check local building code for appropriate detail in areas of high lateral load.