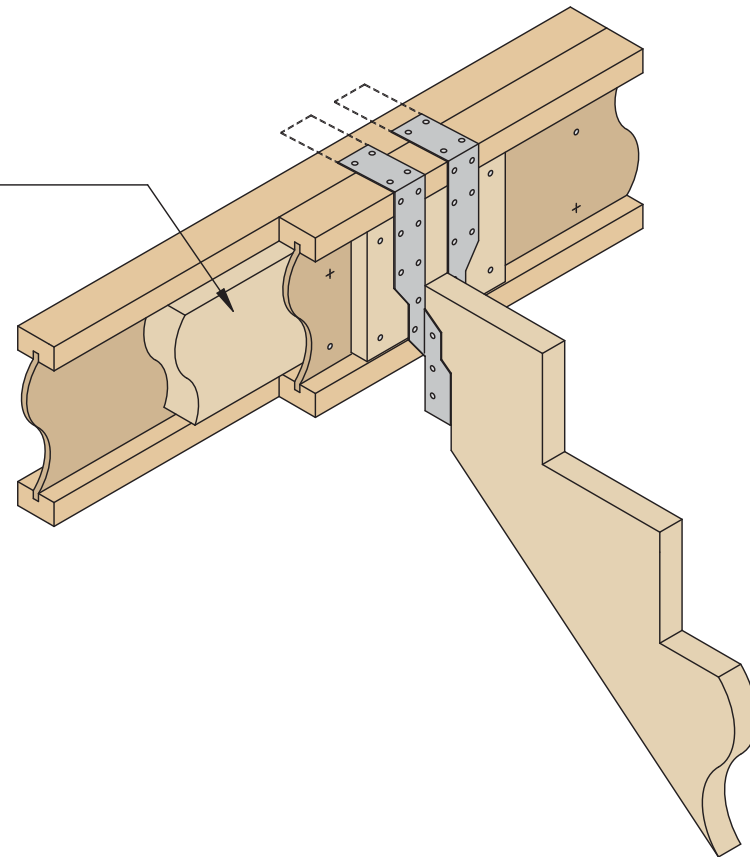


**F14 STAIR STRINGER TO JOIST CONNECTION**

Double BLI joist shown as header. onCENTER LVL may also be used. Verify header capacity to support concentrated loads. Assemble double joist per detail F11 (full depth filler). Backer block size and installation per detail F13.



Hangers	Nailing Requirement
USP MSH218 or Simpson Strong-Tie® THA218	Minimum 12-10d nails into LVL header or double joists. Minimum 4-10d x 1½" nails into stringer.
For stringers longer than 14' or stringer reactions exceeding 700 lbs., call BlueLinx.	