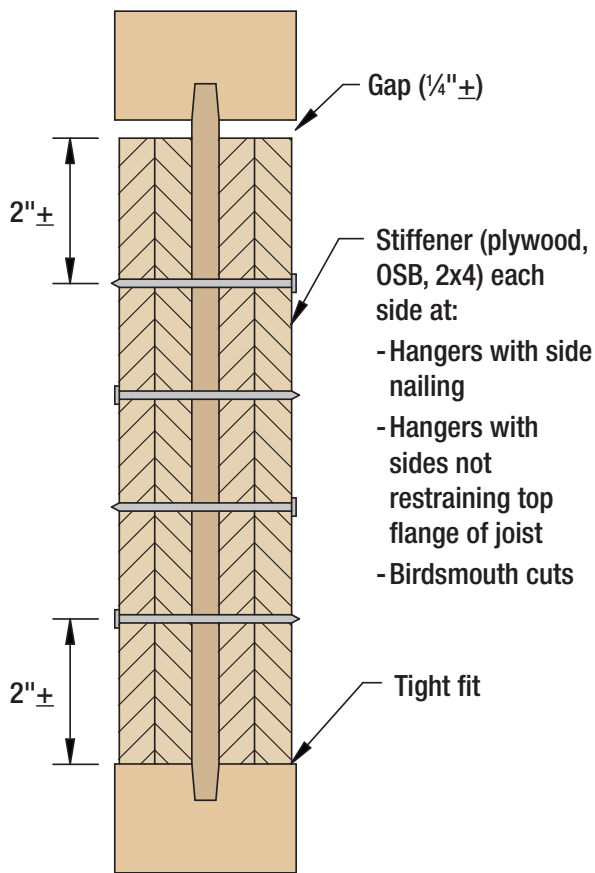


F18 BEARING STIFFENERS



Joist Series	Stiffener Material	Nails
BLI 40, 60, 700	$\frac{1}{2}'' + \frac{1}{2}''$	4-8d*
BLI 80, 90, 900	1½"	4-10d*

Minimum stiffener width is $2\frac{5}{16}''$.
* Use 6 nails for 18" joists.