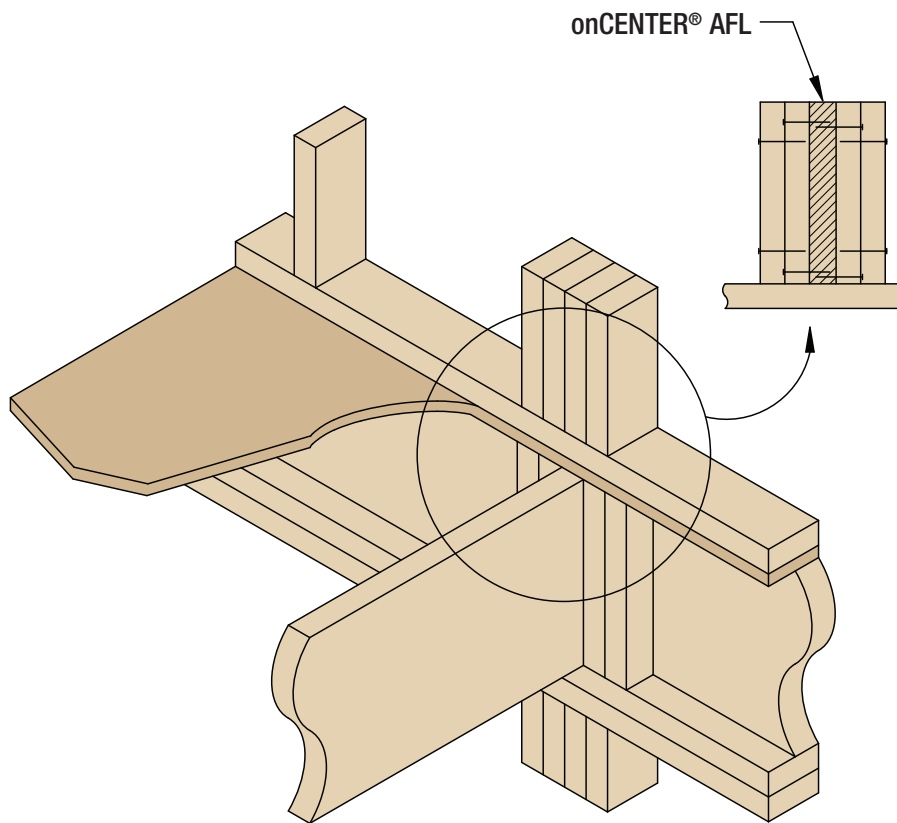


F19A SQUASH BLOCKS AT CONCENTRATED LOADS



Solid block all posts from above to bearing
below with equal number of squash blocks