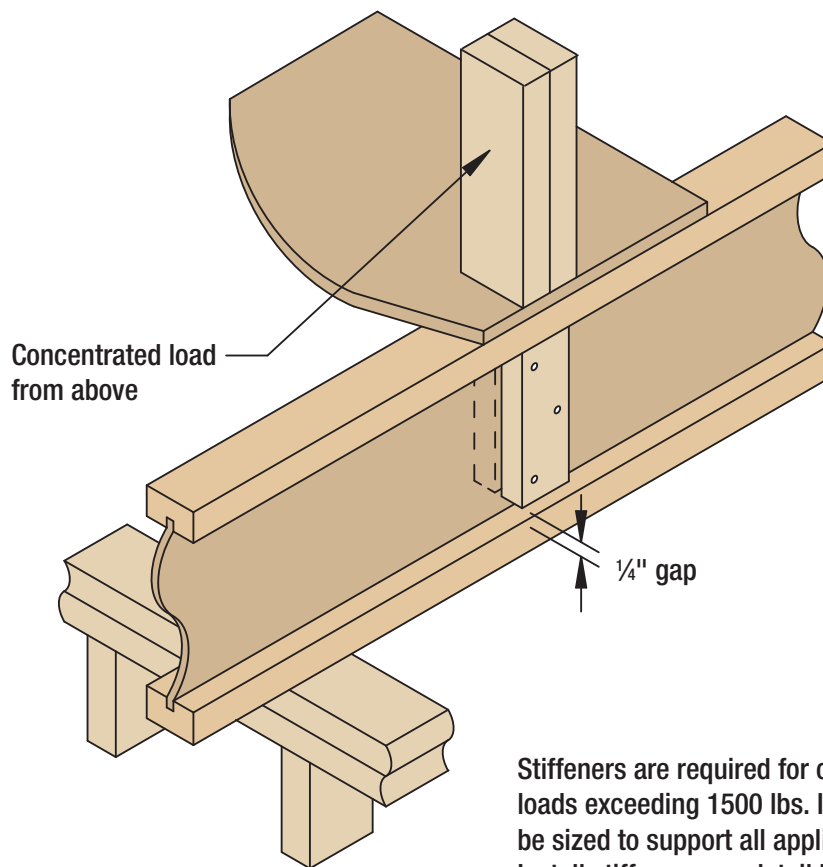


F20 WEB STIFFENERS



Stiffeners are required for concentrated loads exceeding 1500 lbs. I-joists must be sized to support all applied loads. Install stiffeners per detail F18 but tight against top flange and gap at bottom.