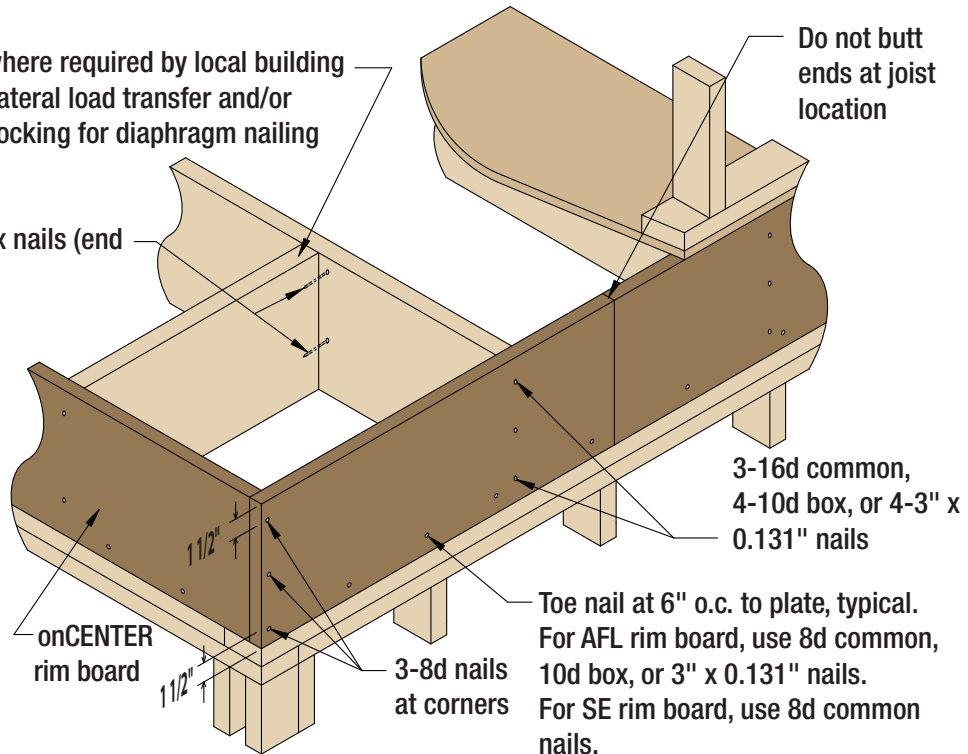


**F5A onCENTER<sup>®</sup> RIM BOARD CLOSURE**

Blocking where required by local building codes for lateral load transfer and/or optional blocking for diaphragm nailing

2 - 10d box nails (end nailed)



**Note: For shear transfer, see APA EWS Y250.**

Rim Board	Vertical Load Transfer
AFL	2560 plf
1" SE	3300 plf
1 1/8" SE	4400 plf

Check local building code for appropriate detail in areas of high lateral load.