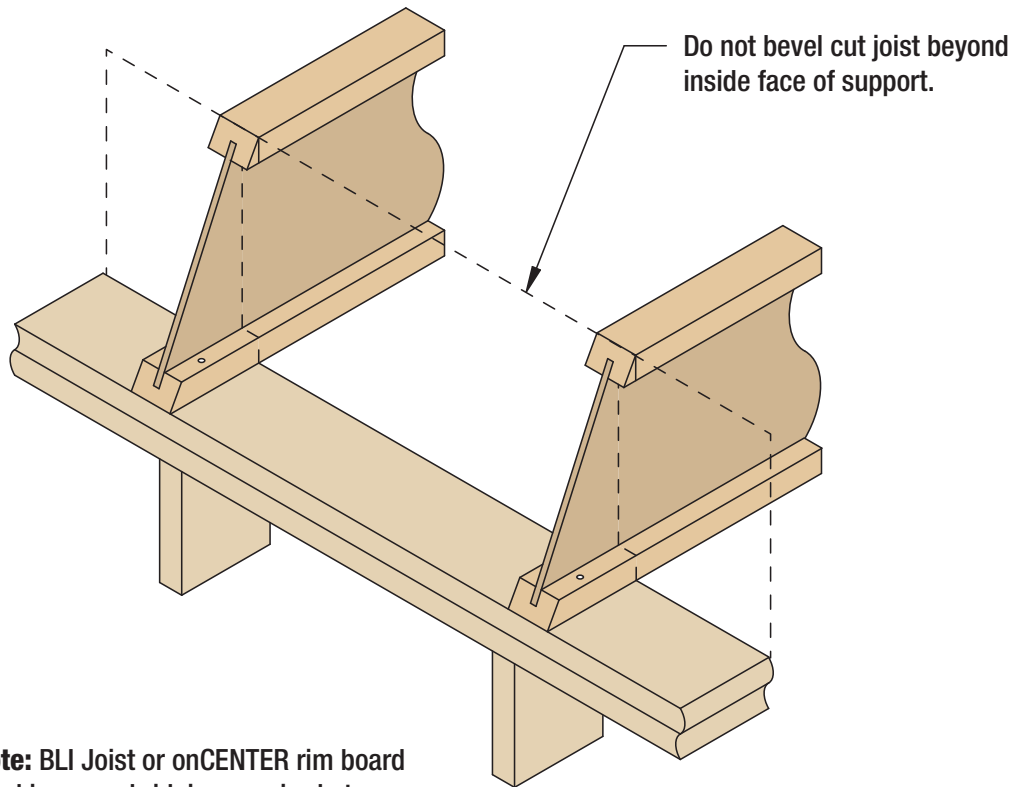


**F8** BEVEL CUT JOIST



**Note:** BLI Joist or onCENTER rim board blocking, or x-bridging required at bearing for lateral support.

Check local building code for appropriate detail in areas of high lateral load.