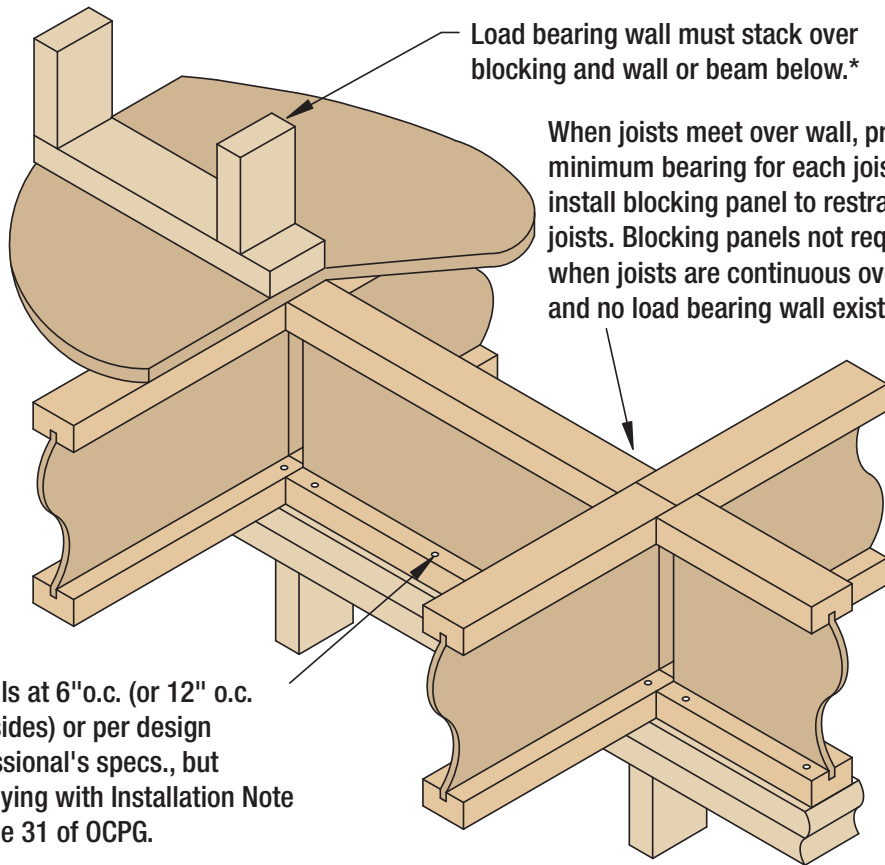


F9

BLOCKING PANEL, INTERIOR

Vertical load transfer = 2000 plf max. (18" - 1700 plf)



Load bearing wall must stack over blocking and wall or beam below.*

When joists meet over wall, provide 1 $\frac{3}{4}$ " minimum bearing for each joist and install blocking panel to restrain both joists. Blocking panels not required when joists are continuous over wall and no load bearing wall exists above.

8d nails at 6" o.c. (or 12" o.c. both sides) or per design professional's specs., but complying with Installation Note 5, page 31 of OCPG.

* Non-stacking load bearing walls require additional consideration.