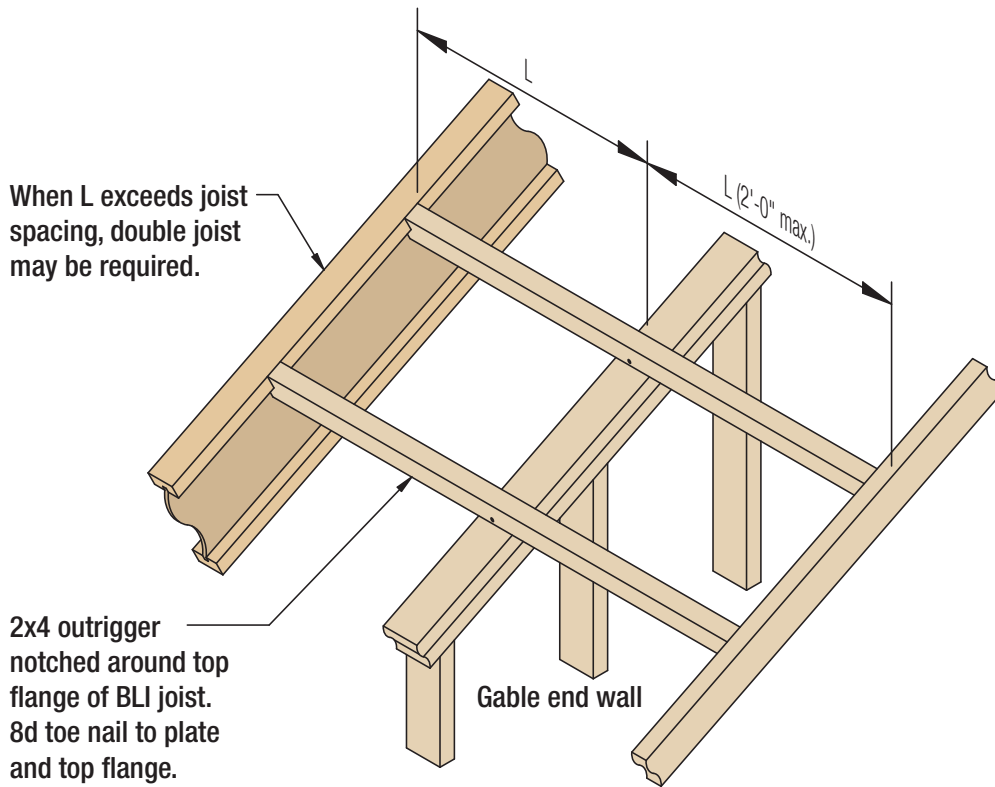


R10

OVERHANG PARALLEL TO JOIST

12/12 maximum slope

Blocking at wall not shown for clarity



2x4 outrigger notched around top flange of BLI joist. 8d toe nail to plate and top flange.

Gable end wall

Additional uplift connections may be required.

Additional blocking or restraint may be required for shear transfer.